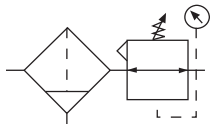


Filter / Regulator B08

= "Most Popular"



B08-01-FKG0 B08-01-FK00

Features

- Space-Saving Integral Filter / Regulator Design
- Unique Flush-mounted Pressure Gauge Available
- Balanced Valve Design
- Modern Design and Appearance
- Light Weight
- High Flow Capacities
- Quick-Disconnect Bowl / Bowl Guard

Specifications

| | | |
|--------------------------|------------------------------|-----------------------------------|
| Flow Capacity* | 1/8 | 28 SCFM (13.2 dm ³ /s) |
| | 1/4 | 42 SCFM (19.8 dm ³ /s) |
| Adjusting Range Pressure | 0 to 30 PSIG (0 to 2.1 bar) | |
| | 0 to 60 PSIG (0 to 4.1 bar) | |
| | 0 to 125 PSIG (0 to 8.6 bar) | |
| Gauge Ports (2)** | NPT | 1/8 |
| Maximum Supply Pressure | Plastic Bowl | 150 PSIG (10.3 bar) |
| | Metal Bowl | 250 PSIG (17.2 bar) |
| Operating Temperature† | Plastic Bowl | 14° to 125°F (-10° to 52°C) |
| | Metal Bowl | 14° to 150°F (-10° to 65.5°C) |
| Port Size | NPT / BSPP-G 1/8, 1/4 | |
| Bowl Capacity | 0.4 oz | |
| Standard Filtration | 5 Micron | |
| Weight | .75 lb. (0.34 kg) | |

* Inlet pressure 100 PSIG (6.9 bar). Secondary pressure 90 PSIG (6.2 bar).

** Non gauge option only.

† Units with square gauges: -15°C to 65.5°C (5°F to 150°F)

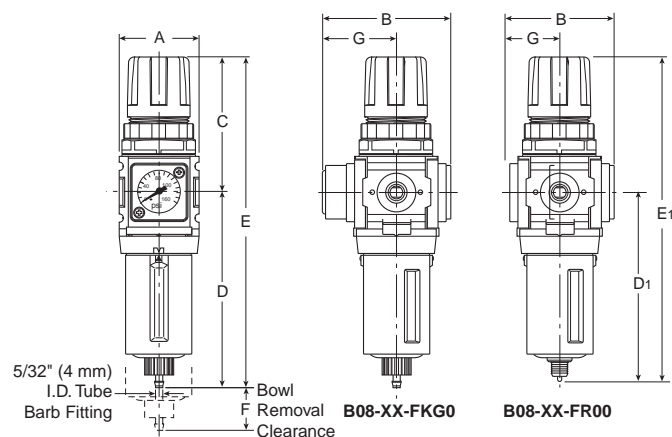
"F" Series Filters, Type "A" 5 micron elements: All Wilkerson Type "A" 5 micron elements **meet or exceed ISO Class 3** for maximum particle size and concentration of solid contaminants.

Materials of Construction

| | | |
|--------------------|-----------------|---------------|
| Adjustment Knob | Acetal | |
| Body | Zinc | |
| Body Cap | ABS | |
| Bonnet | PBT | |
| Bowl | Plastic Bowl | Polycarbonate |
| | Metal Bowl | Zinc |
| Bowl Guard | Nylon | |
| Diaphragm Assembly | Brass / Nitrile | |
| Filter Element | Polyethylene | |
| Panel Nut | Acetal | |
| Seals | Plastic Bowl | Nitrile |
| | Metal Bowl | Nitrile |
| Springs | Steel | |
| Valve Assembly | Brass / Nitrile | |

! WARNING

**Product rupture can cause serious injury.
Do not connect regulator to bottled gas.
Do not exceed maximum primary pressure rating.**



NOTES: Flush mounted gauge kits will not fit units originally purchased with threaded gauge ports.
1.25" Dia. (31.7 mm) hole required for panel nut mounting.

Dimensions

| Models | Inches (mm) | A | B | C | D | D ₁ | E | E ₁ | F | G |
|---------------------------------------|-------------|----------------|----------------|----------------|--------------|----------------|---------------|----------------|--------------|----------------|
| Standard Unit B08-XX-FK00 | | 1.58 (40) | 1.70 (43) | 2.60 (66) | 3.86 (98) | — | 6.46 (164) | — | 1.31 (33) | .85 (21.6) |
| Automatic Piston Drain B08-XX-FR00 | | 1.58 (40.0) | 2.53 (64.3) | 2.60 (66.0) | — | 3.64 (93) | — | 6.24 (159) | 1.31 (33) | 1.45 (36.8) |

CAUTION:

REGULATOR PRESSURE ADJUSTMENT – The working range of knob adjustment is designed to permit outlet pressures within their full range. Pressure adjustment beyond this range is also possible because the knob is not a limiting device. This is a common characteristic of most industrial regulators, and limiting devices may be obtained only by special design.

For best performance, regulated pressure should always be set by increasing the pressure up to the desired setting.

= "Most Popular"

Replacement Bowl Kits

- Metal Bowl, Manual Drain.....GRP-96-714
- Plastic Bowl / Bowl Guard, Manual Drain.....GRP-96-712

Replacement Element Kit

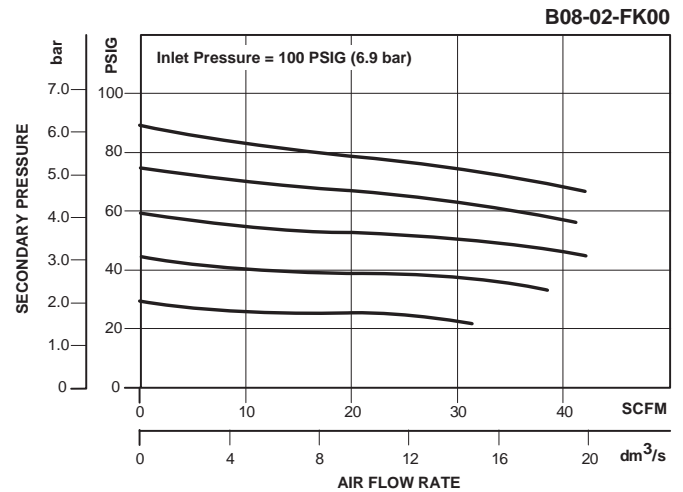
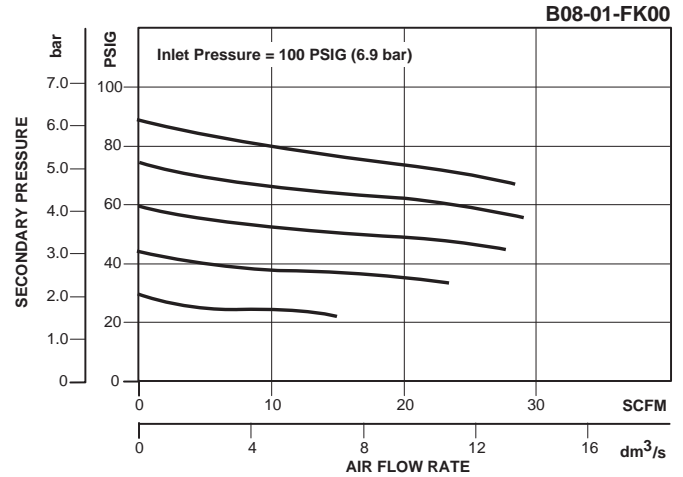
- Type "A", 5 Micron FRP-96-729

Replacement Kits

- Adjusting Knob..... RRP-16-005-000
- Diaphragm Assembly –
 - Non-relieving GRP-96-726
 - Relieving..... GRP-96-725
- Spring, Regulating–
 - 0 to 30 PSIG (0 to 2.0 bar)..... GRP-95-111
 - 0 to 60 PSIG (0 to 4.1 bar)..... GRP-96-718
 - 0 to 125 PSIG (0 to 8.5 bar)..... GRP-96-717
- Valve Assembly.....RRP-96-727

Accessories

- Automatic Piston Drain GRP-96-716
- Gauge Adapter Block, 1/4" NPT, GPA-97-037
(Replaces Flush Mount Gauge)
- Panel Mount Nut –
 - Aluminum..... RPA-96-733
 - Plastic RPA-96-734
- Gauge, Pressure Flush Mounted –
 - 0 to 60 PSIG K4511SCR060
 - 0 to 150 PSIG K4511SCR150
 - 0 to 11 bar.....K4511SCR11B
 - 0 to 60 PSIG (0 to 4.1 bar),
1-1/2" Dial Face, 1/8 NPT, CBM..... K4515N18060
 - 0 to 160 PSIG (0 to 11.0 bar),
1-1/2" Dial Face, 1/8 NPT, CBM.....K4515N18160
- Tamper Resistant Kit..... RPA-96-735
- Wall Mounting Bracket -
 - C-Type GPA-97-010
 - L-Type GRP-96-739



Ordering Information

| Model Type | Port Size | Plastic Bowl / Bowl Guard / Manual Drain / Without Gauge 0 to 30 PSIG (0 to 0.2 bar) | Plastic Bowl / Bowl Guard / Manual Drain / Without Gauge 0 to 125 PSIG (0 to 8.6 bar) | Plastic Bowl / Bowl Guard / Manual Drain / With Gauge 0 to 20 PSIG (0 to 2.0 bar) | Plastic Bowl / Bowl Guard / Manual Drain / With Gauge 0 to 125 PSIG (0 to 8.6 bar) | Plastic Bowl / Bowl Guard / Manual Drain / Without Gauge 0 to 60 PSIG (0 to 4.1 bar) | Plastic Bowl / Bowl Guard / Automatic Piston / With Gauge 0 to 125 PSIG (0 to 8.6 bar) |
|---------------|-----------|--|---|---|--|--|--|
| Relieving | 1/8 | B08-01-CK00 | B08-01-FK00 | B08-01-CKG0 | B08-01-FKG0 | B08-01-DK00 | B08-01-FRG0 |
| | 1/4 | B08-02-CK00 | B08-02-FK00 | B08-02-CKG0 | B08-02-FKG0 | B08-02-DK00 | B08-02-FRG0 |
| Non-relieving | 1/8 | B08-01-PK00 | B08-01-RK00 | B08-01-PKG0 | B08-01-RKG0 | B08-01-WK00 | B08-01-RRG0 |
| | 1/4 | B08-02-PK00 | B08-02-RK00 | B08-02-PKG0 | B08-02-RKG0 | B08-02-WK00 | B08-02-RRG0 |

Options - To order an option supplied with the unit model, add the appropriate coded suffix letter in the designated position of the model number.